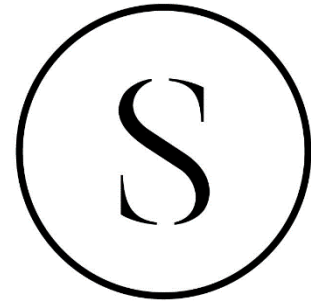


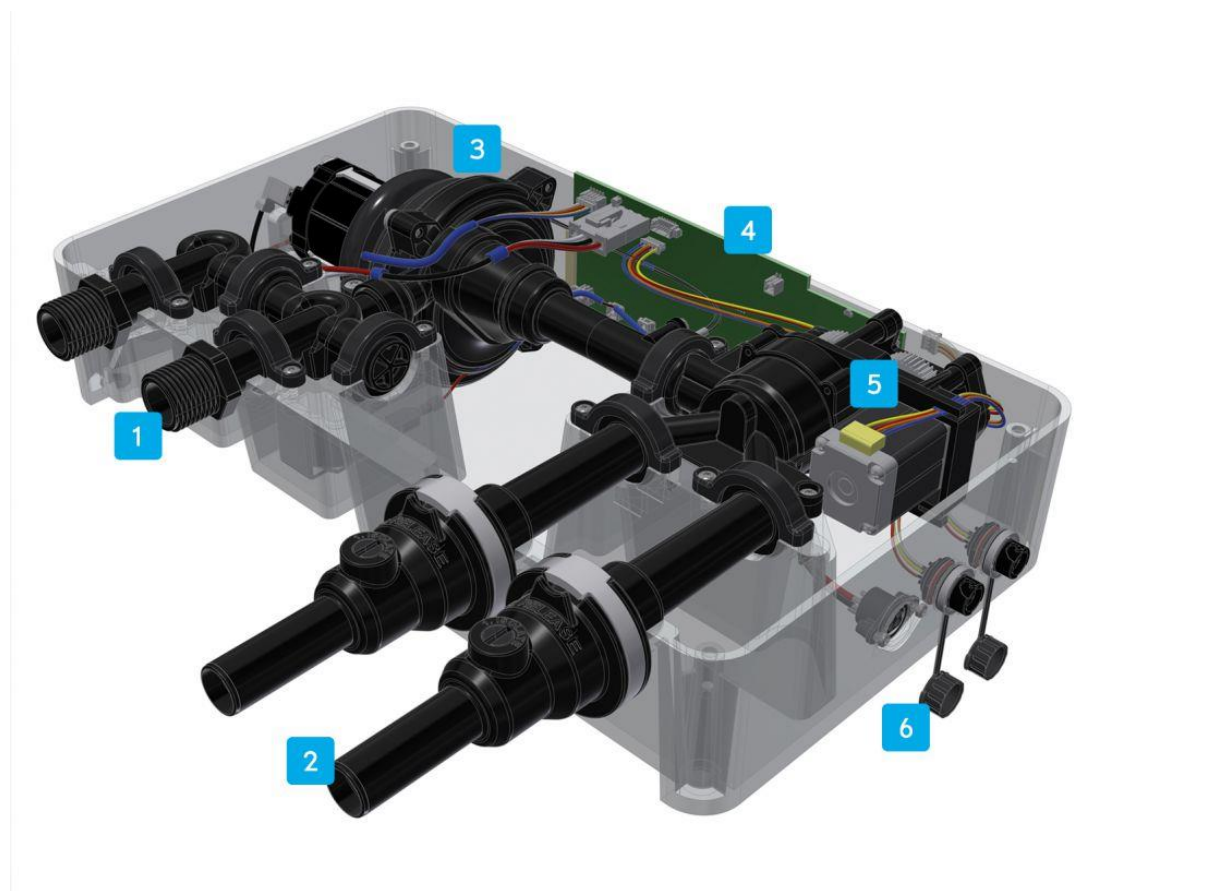
## Tech Specification

Product Name: Chelsea Digital Shower Valve

Product Code: DIGITAL11037



At the core of our digital shower is the innovative digital processor, which contains sophisticated technology that controls and monitors the temperature, flow, and safety.



- **1 Solenoid Valves**

---

If the cold-water supply stops or there's a power failure, the solenoid valves will shut off the flow instantly. Two valves allow both outlets to be safely used at once, offering total peace of mind.

---

- **2 Push-Fit Isolation Valves**

---

The hot and cold-water isolation valves allow you to isolate your water supply without having to switch it off at the mains.

---

- **3Brushless Pump**

---

Our low-pressure digital shower has a built-in pump that boosts the water pressure to 1.5 bar. It uses a brushless motor, which is much quieter and more efficient than conventional brushed motors.

---

- **4Temperature Thermistor**

---

The built-in thermistor checks the temperature of incoming water every 10th of a second, ensuring it's kept as close as possible to the set temperature.

---

- **5Flühs Ceramic Cartridge**

---

The highly reliable Flühs ceramic cartridge lies at the heart of the digital shower. It's controlled by a stepper motor, and automatically mixes the hot and cold water.

---

- **6Push-Fit Electrics**

---

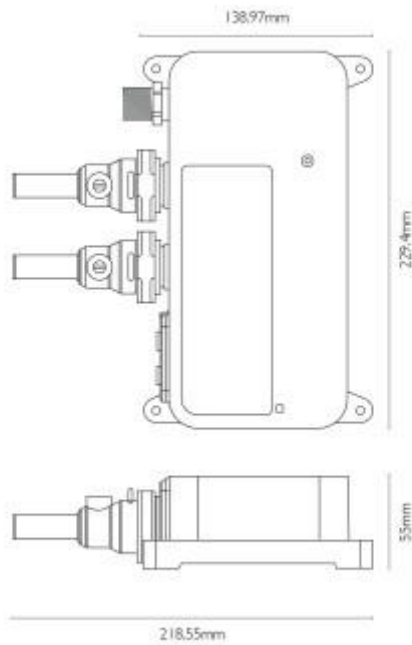
Simple, push-fit twist and lock electrical cables ensure there is no need to go inside the digital processor to set up the shower.

# Dimensions

For your digital shower installation your plumber may need to know the exact size of the digital processor, so we've added dimensions for each model opposite.

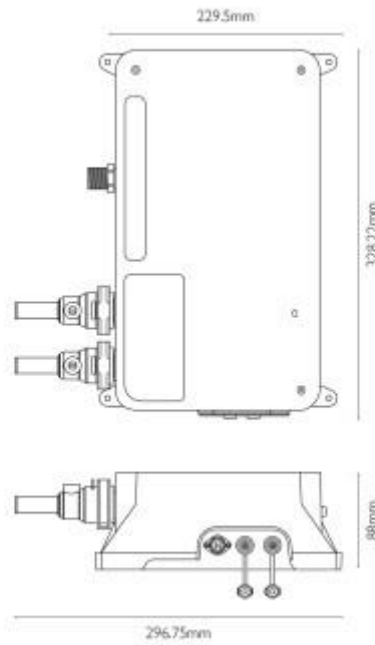
## Single Outlet Digital Processor

For High-pressure Installations



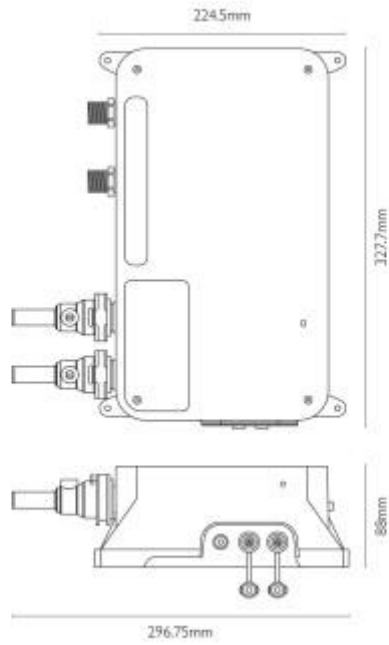
# Single Outlet Pumped Digital Processor

For Low-pressure Installations



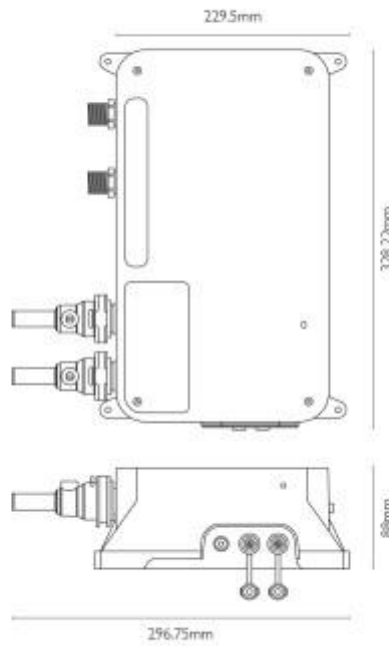
# Dual Outlet Digital Processor

For High-pressure Installations\*



## Dual Outlet Pumped Digital Processor

For Low-pressure Installations\*







\*For both shower/shower and bath/shower processor dimensions.

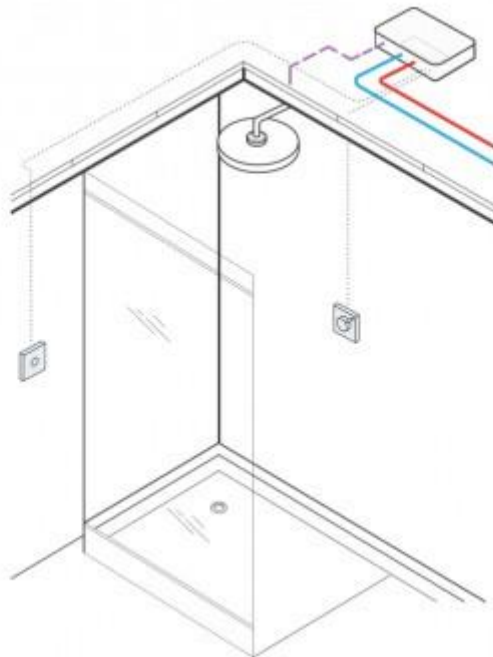
# Installation Guides

The digital processor can be installed in a few different locations depending on the layout of your bathroom and your own preferences. Whatever you choose, it will be discreetly hidden out of sight.

## Loft Installation





This layout is ideal if you have loft space directly above your bathroom.

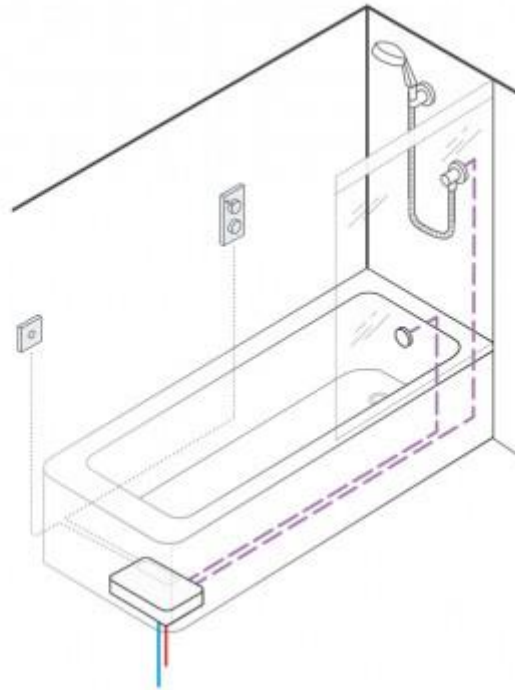
-  Pipework Out (Mixed Water)
-  Pipework In (Cold)
-  Pipework In (Hot)
-  Controller Cable



## Under-Bath Installation





If you have an over-bath shower, there may be space to hide the processor behind the bath panel.

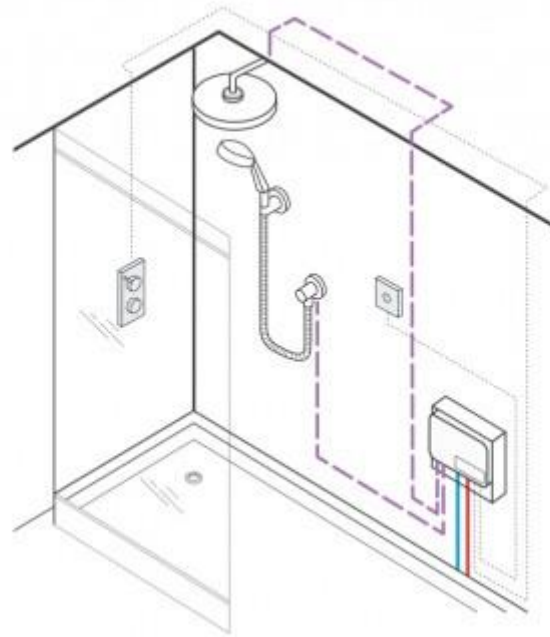
-  Pipework Out (Mixed Water)
-  Pipework In (Cold)
-  Pipework In (Hot)
-  Controller Cable



# Cupboard Installation

The digital processor and power cables can be concealed in an adjacent cupboard.

-  Pipework Out (Mixed Water)
-  Pipework In (Cold)
-  Pipework In (Hot)
-  Controller Cable





# Water Systems

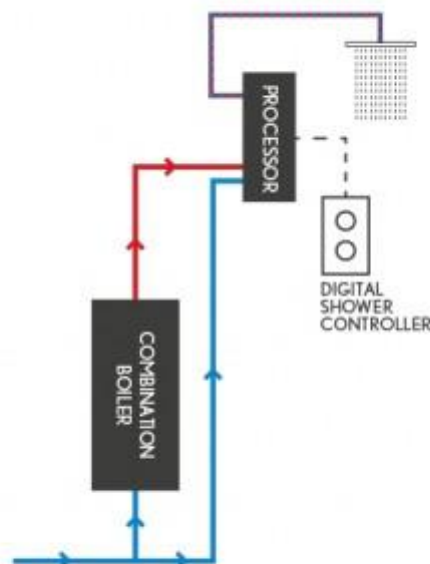
Understand which water system you have in your home using our diagrams.

If you have a mains high-pressure, combination boiler, or pump-assisted system, choose one of our high-pressure digital showers. If you have a gravity-fed system, you'll need a low-pressure option with an integrated pump. Our pumps have extra quiet brushless motors, so you won't have to worry about too much noise.

## Combination Boiler

You'll need one of our high-pressure digital shower products if you have (one or all of the following):

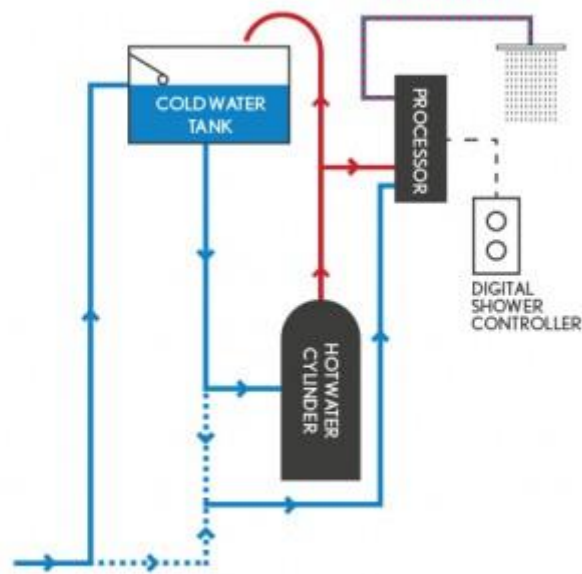
- A combination boiler that heats water on demand
- No storage tanks
- No shower pump installed



## Hot Gravity & Cold Gravity / Mains

You'll need one of our low-pressure (pumped) digital shower products if you have:

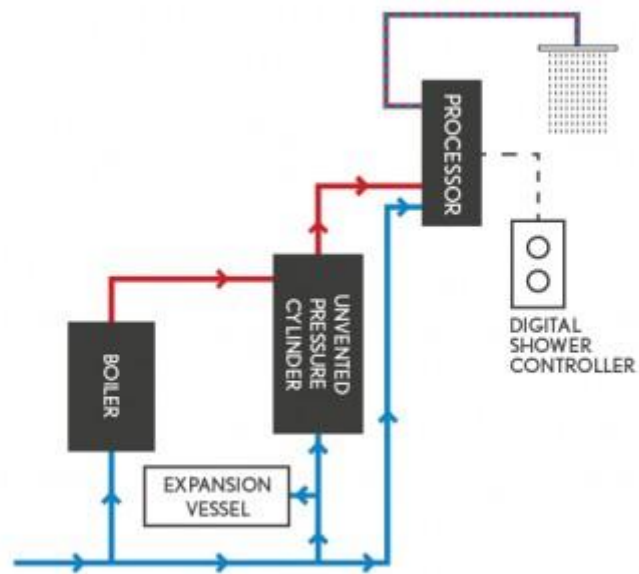
- A cold water storage tank in the loft
- A hot water cylinder
- No shower pump installed



## Mains High Pressure

You'll need one of our high-pressure digital shower products if you have:

- You have an unvented cylinder with an expansion cylinder
- You have no cold water tank in the loft



## Pump Assisted

If you have a booster pump fitted, you'll need one of our high-pressure digital shower products.

