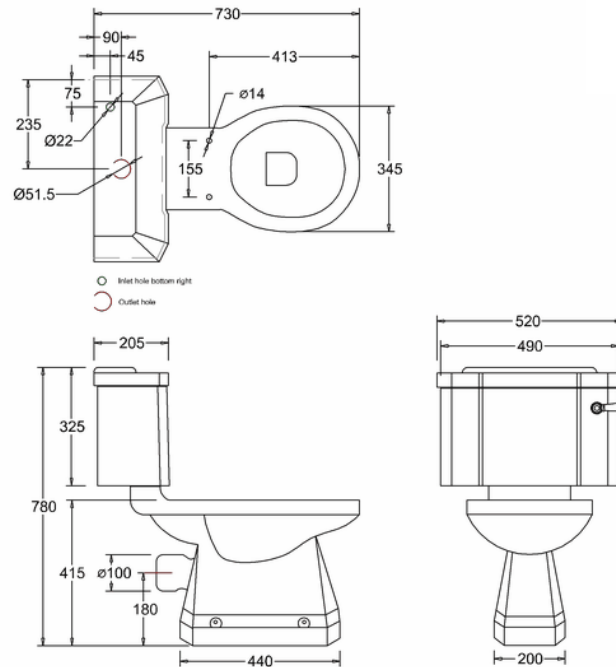
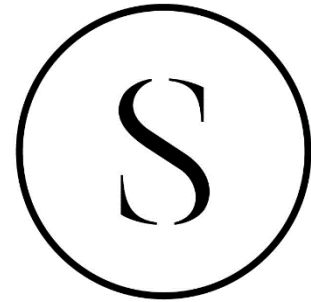


## Tech Specification

Product Name: Kensington Pan & cistern

Product Code: PAN4010&CISTERN4011



## Illustrated

510mm close coupled/low level ceramic lever cistern

Close coupled pan

Please note this does not include the toilet seat. These can be found separately.

## Material

pan - vitreous china

cistern - ceramic & brass

## Size

P5 - 642 x 355 x 453mm

C1 - 520 x 327 x 205mm

C2 - 515 x 205 x 327mm

C3 - 454 x 327 x 218mm

C4 - 454 x 327 x 218mm

### Guarantee\*

25 years domestic installations

1 year commercial installations

### Standards Information

BS EN 997:2012

WC pans and WC suites with integral trap

BS EN 33:2011

Pedestal W.C. pans with close-coupled flushing cistern. Connecting dimensions

### Additional Information

Water Inlet valve hole is located on the base of cistern tank on the right hand side

Bottom inlet valve (SP5A). Back inlet valve available as optional item (SP511).

Dual flush cistern fittings with ceramic lever on the right.

Press lever down for 6 litre flush and up for 3 litre flush.

P trap standard height pan - height from floor to pan rim is 40cm.

Regal Height pan ( floor to pan rim height 48cm ) available :

Ceramic soil connection pipes : straight connector to the wall :: The S trap connector bending down to the floor : C26

Metal connection bracket.

Close coupled wc must be used with standard Burlington toilet seats

Supplied with floor fixings.

Recommended to be used with cistern tank isolation valve

**Tech Specification**

Product Name: Kensington Seat

Product Code: SEAT4012

