

## Tech Specification

Product Name: Kensington Heated towel Rail

Product Code: HEATEDTOWELR4037

Guarantee\*

20 years domestic installations

All heating products come complete with fixing screws

Valves & brackets sold separately

After installing any new radiators; when refilling the system it is recommended a suitable inhibitor is used

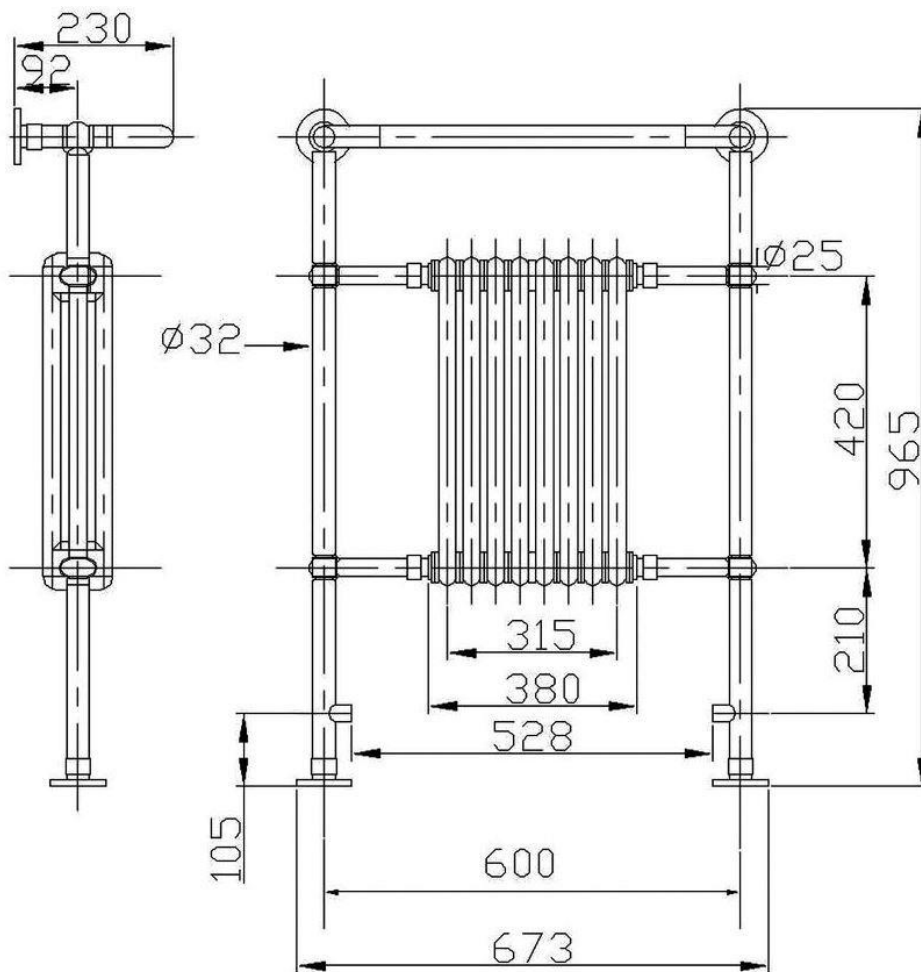
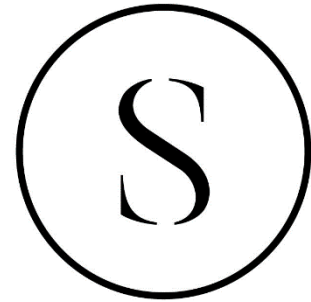
All tappings are 1/2" British Standard Pipe

We recommend pipework is not installed until receipt of radiator or heated towel rail

Ral Number: 9016

BTU@ 60°C: 3520

BTU@ 50°C: 1914



## Product Specification

Product Name: Angled radiator valves

Product Code: VALVES5041

Max. working pressure: 10 bar

Max. pressure differential: 1 bar

Min. water temperature: 2C

Max. water temperature: 100C

Max. ambient temperature: 50C

