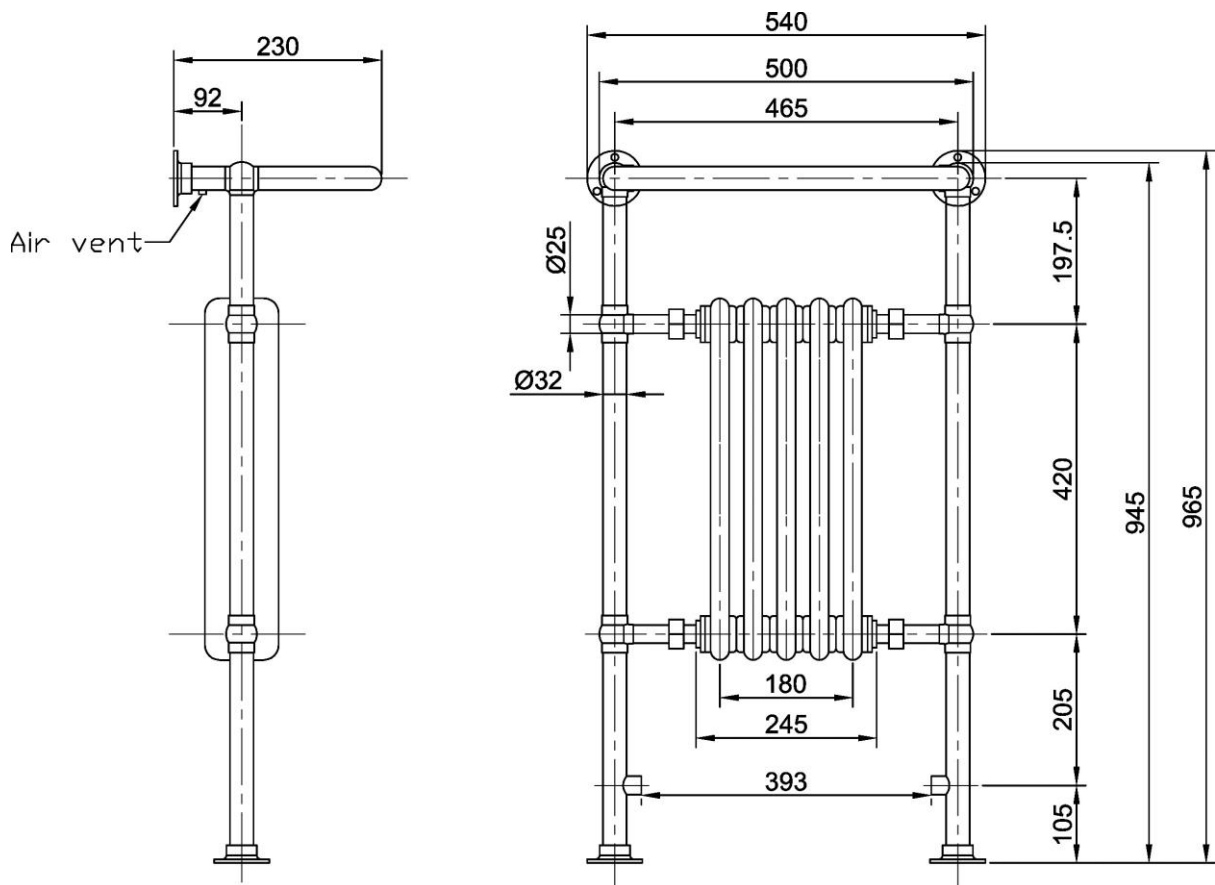
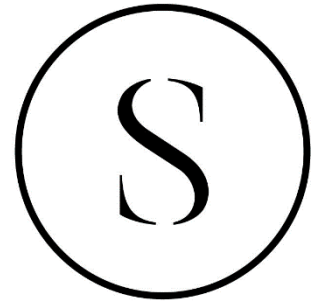


Tech Specification

Product Name: Kensington Heated towel Rail Small

Product Code: TOWELRAILSM4023

BTU 1699 Watts 498



Product Specification

Product Name: Angled radiator valves

Product Code: VALVES5041

Max. working pressure: 10 bar

Max. pressure differential: 1 bar

Min. water temperature: 2C

Max. water temperature: 100C

Max. ambient temperature: 50C

