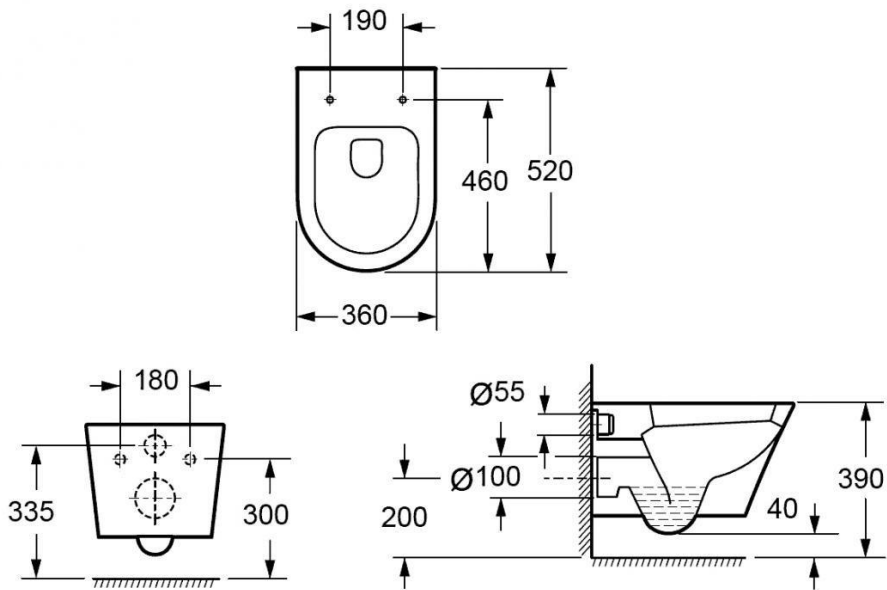
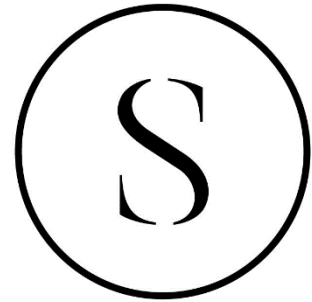


Tech Specification

Product Name: Islington Wall Hung Pan & Seat

Product Code: PAN3010 & SEAT3011

Material: Ceramic



Tech Specification

Product Name: Islington WC Frame

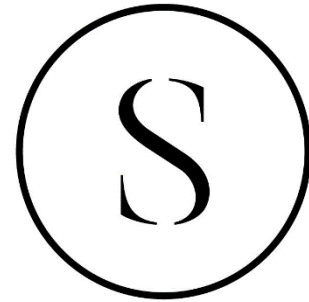
Product Code: FRAME3012

Material: Steel

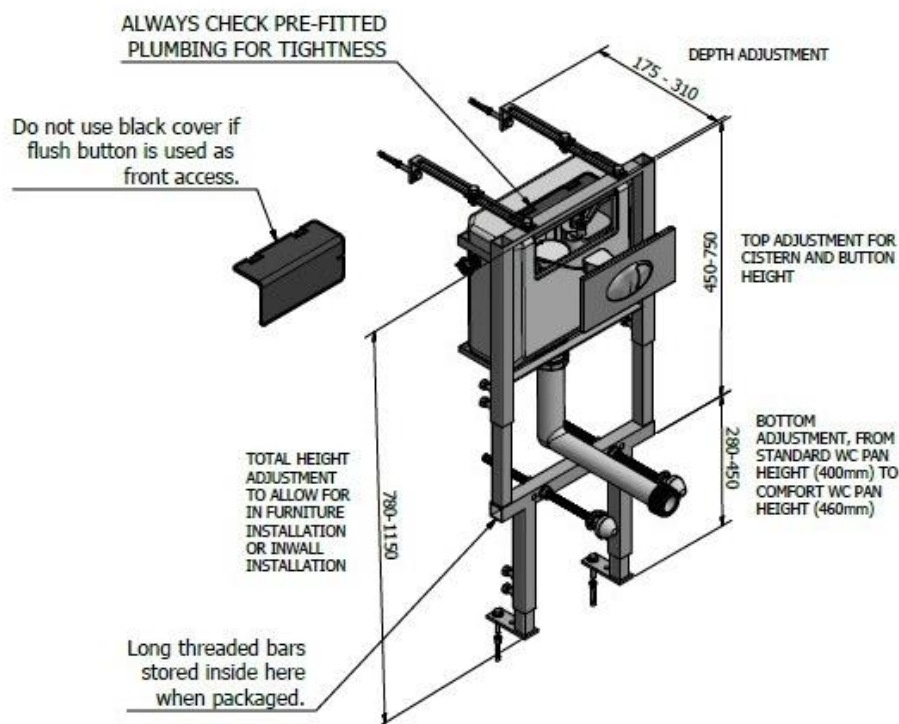
Height: 780-1150mm

Width: 400mm

Depth 175-310mm



INSTALLATION MUST BE CARRIED OUT BY A QUALIFIED TRADESMAN



ADJUST THE FRAME TO THE CORRECT HEIGHT FOR YOUR INSTALLATION USING THE TELESCOPIC LEGS AND FRAME, THEN TIGHTEN THE 8 (12) RETAINING BOLTS WITH A WRENCH.

FIX THE FRAME TO THE WALL AND FLOOR USING THE RAWL BOLTS AND PLUGS SUPPLIED, WHEN FIXING TO A STUD WALL ENSURE THAT THE WALL IS FULLY BATTENED. THIS UNIT MUST BE FULLY SECURED TO THE WALL AND FLOOR, IF THE FIXINGS SUPPLIED ARE NOT SUITABLE FOR YOUR TYPE OF WALL SUITABLE FIXINGS MUST BE USED.

WHEN THE UNIT IS IN THE REQUIRED POSITION, MARK OUT THE FACIA FOR ALL CONNECTIONS AND FIXINGS AS SHOWN AND CUT OUT ACCORDINGLY.

MEASURE THE POSITION OF THE WC AND TRIM THE FLUSH AND SOIL PIPES TO SUITE.
RIGID FLUSH PIPE CAN BE USED FROM 780-900mm
FLEXIBLE FLUSH PIPE MUST BE USED WHEN FRAME IS SET HIGHER THAN 900mm
ALSO MEASURE FOR THE LENGTH OF 12 X 310mm SS RODS (4) TO FIX THE PAN AND TRIM IF NECESSARY.

ASSEMBLE THE PUSH BUTTON PLATE AND CONNECT TO THE FLUSH VALVE CABLE BOX.

