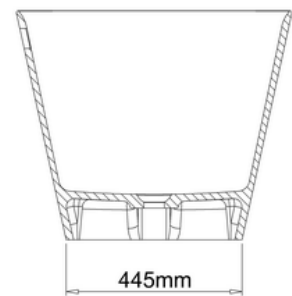
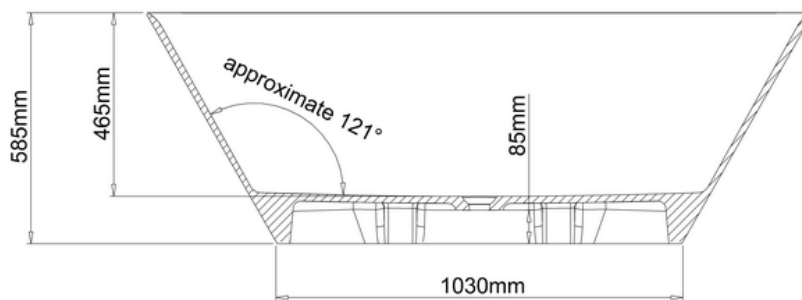
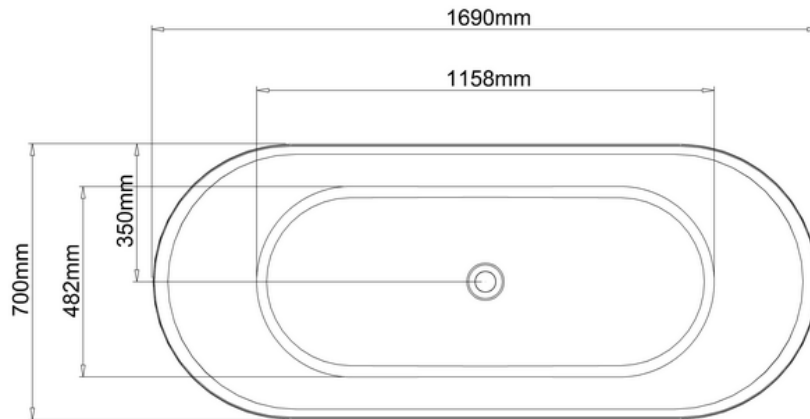
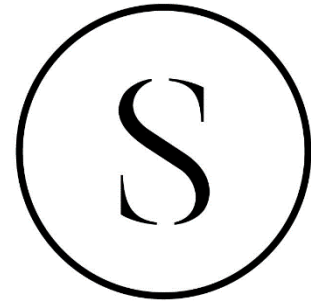


Tech Specification

Product Name: Islington Freestanding bath

Product Code: FSBATH3036



Illustrated

Islington Freestanding bath

Material

bath - Sedimentary stone composite with Gibbsite mineral filler

Size

1690 x 700 x 585mm

Nett Weight

bath - 74kg

Gross Weight Including Packaging

bath - 79kg

Packed Dimension

1800 x 885 x 720 = 1.147 m³

Bath water capacity

179 litres displaced water capacity

Tap Hole Options

0

Colour

bath - White

Guarantee*

10 years domestic installations

1 year commercial installations

Standards Information

BS EN14516:2006

Baths for domestic purposes

Additional Information

Template for overflow drilling is attached to the bath for easy installation on site.

No overflow

Not suitable for rim-mounted taps

Tech Specification

Product Name: Islington Freestanding Bath filler

Product Code: FSBATHFILLER3029

Material: Brass/ Chrome

Height: 1120mm

Width: 200mm

Depth: 342mm

15mm / 1/2" bsp connections

