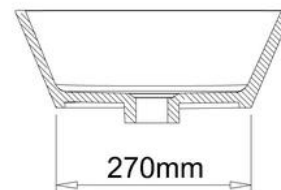
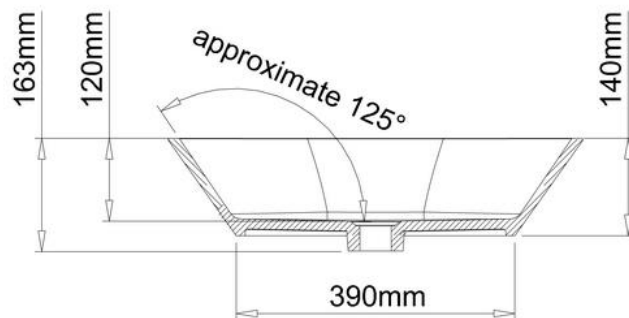
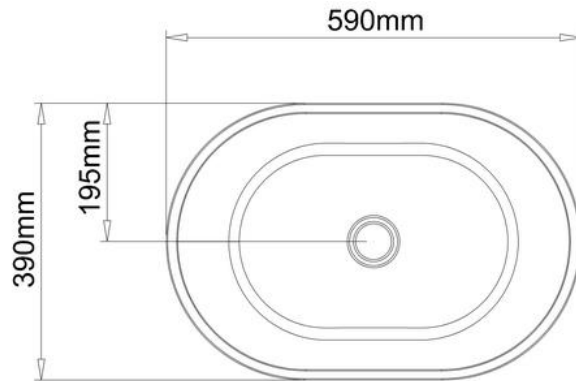
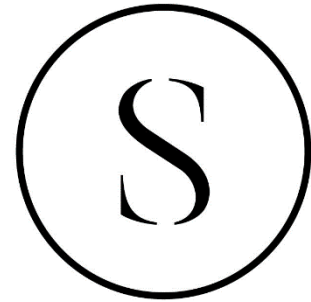


Tech Specification

Product Name: Islington Free standing bowl

Product Code: FSBOWL3032



Illustrated

natural stone basin

Material

basin - Natural stone

Size

590 x 390 x 140mm

Nett Weight

basin - 9kg

Gross Weight Including Packaging

basin - 11kg

Packed Dimension

650 x 450 x 193 = 0.0565 m³

Colour

basin - White

Guarantee*

10 years domestic installations

1 year commercial installations

Standards Information

BS EN 14688:2006

Sanitary appliances - Wash basins

Additional Information

No overflow

Tech Specification

Product Name: Islington Wall mounted Tap

Product Code: WALLTAP3028

Material: Brass/ Chrome

Height: 106mm

Width: 320mm

Depth: 260mm

