

## Tech Specification

Product Name: Fulham Shower Kit

Product Code: SHOWERKIT2019

Finish: Chrome

Ceramic disc technology

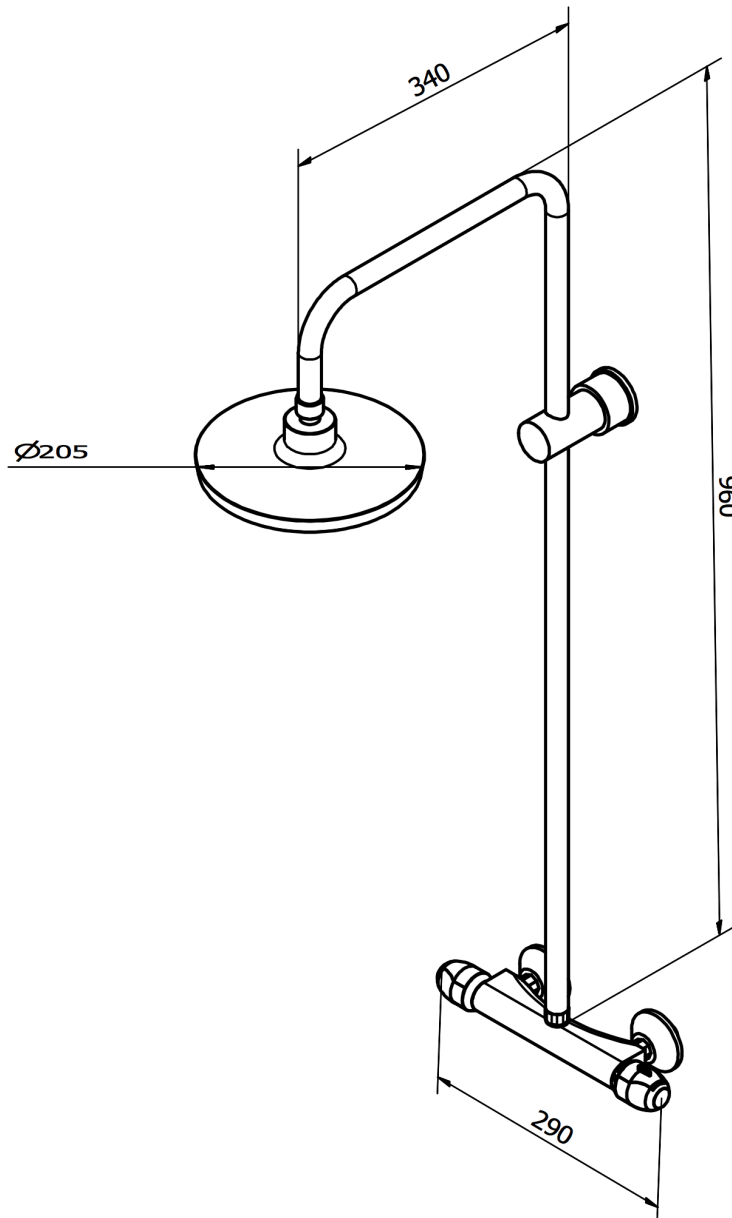
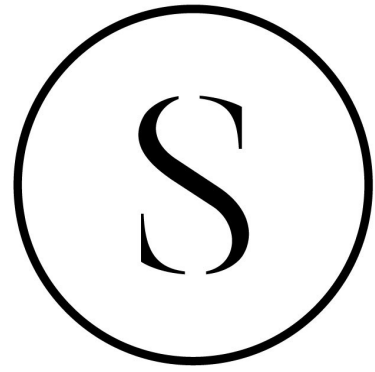
Round fixed brass riser 22mm

Automatic shut off in the event of water failure

Easy clean rubber jets

Thermostatic valve

200mm round shower head adjustable up to 22°



## Tech Specification

Product Name: Fulham 900mm Quad

Product Code: 900QUAD22024

8mm easy clean toughened safety glass

8mm doors and fixed panels

RapidFit profiles allow easy, quick assembly

Height: 1950mm

45mm profiles, adjustable for out of true walls

Quick release bottom rollers for easy cleaning

Chrome profiles and screw caps

Magnetic closure strips

Radius: 550mm

Adjustments for out of true walls: 865-895mm

Entry: 530mm

