

Tech Specification

Product Name: Fulham 900mm Quad

Product Code: 900QUAD22024

8mm easy clean toughened safety glass

8mm doors and fixed panels

RapidFit profiles allow easy, quick assembly

Height: 1950mm

45mm profiles, adjustable for out of true walls

Quick release bottom rollers for easy cleaning

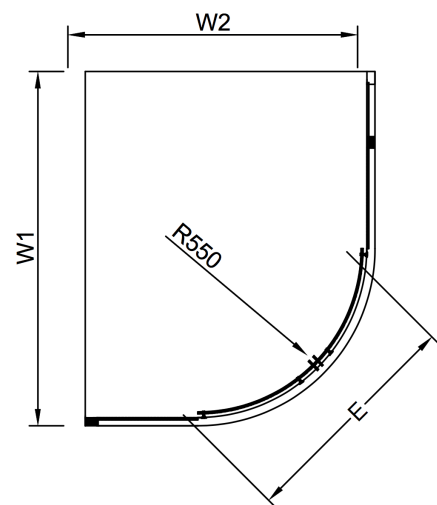
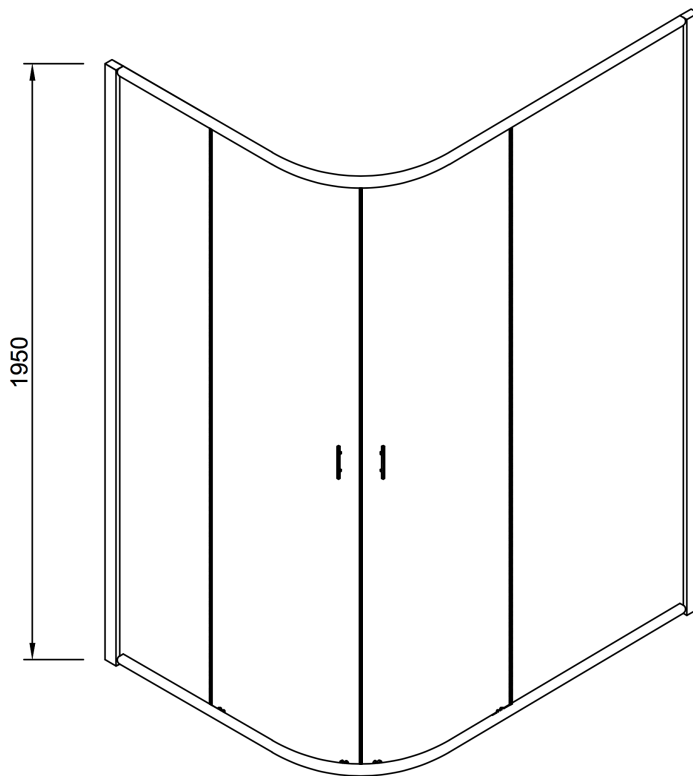
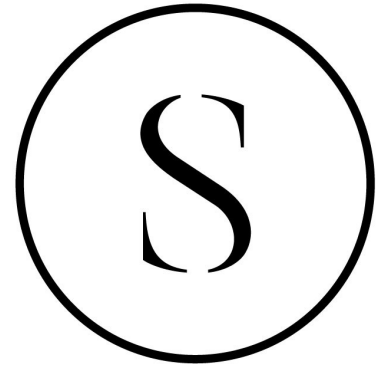
Chrome profiles and screw caps

Magnetic closure strips

Radius: 550mm

Adjustments for out of true walls: 865-895mm

Entry: 530mm



Tech Specification

Product Name: Fulham Shower Kit

Product Code: SHOWERKIT22025

Finish: Chrome

Thermostatic shower valve

Adjustable handset

Ceramic disc technology

Minimum pressure: 0.5 Bar

Includes round shower head, slide rail kit, 3 function handset & 1.5m shower hose

Automatic shut off in the event of water failure

