

Tech Specification

Product Name: FSBATH

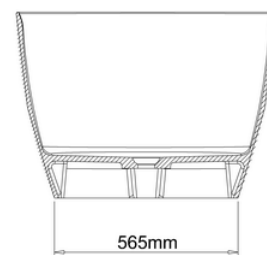
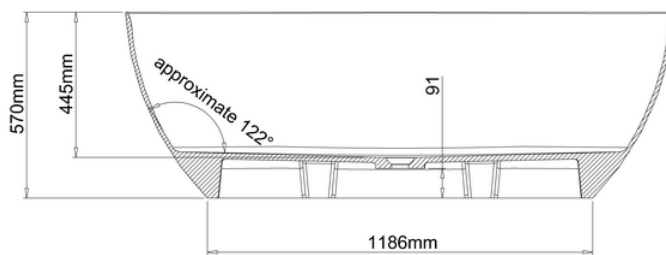
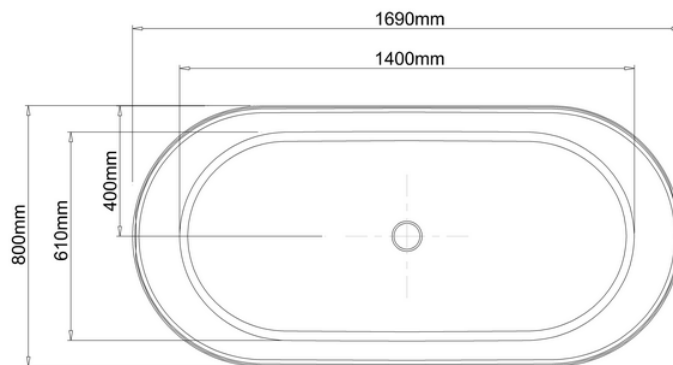
Product Code: FSBATH1022

Weight:86Kg

Material:Stone



Q



Illustrated

Chelsea Freestanding bath

Material

bath - Sedimentary stone composite with Gibbsite mineral filler

Size

1690 x 800 x 570mm

Nett Weight

bath - 86kg

Gross Weight Including Packaging

bath - 91kg

Packed Dimension

1800 x 885 x 720 = 1.147 m³

Bath water capacity

277 litres displaced water capacity

Tap Hole Options

0

Colour

bath - White

Guarantee*

10 years domestic installations

1 year commercial installations

Standards Information**BS EN14516:2006**

Baths for domestic purposes

Additional Information

Template for overflow drilling is attached to the bath for easy installation on site.

No overflow

Not suitable for rim-mounted taps

Tech Specification

Product Name: Chelsea Freestanding Bath Filler

Product Code: FSBATHMIXER1036

Material:

tap - Brass

shrouds - Brass

Size:

Tap - 430 x 275 x 215mm

Shrouds - 1035 x 1035 x 7375mm

Nett Weight:

tap - 1.9kg

shrouds - 5.76kg

Gross Weight Including Packaging:

tap - 2.2kg

shrouds - 5.86kg

Guarantee*

10 years domestic installations

1 year commercial installations

Standards Information

Level 10 salt spray tested

Chrome plated to EN248:2002

EN817:2008

Sanitary tapware. Mechanical mixing valves (PN 10). General technical specifications

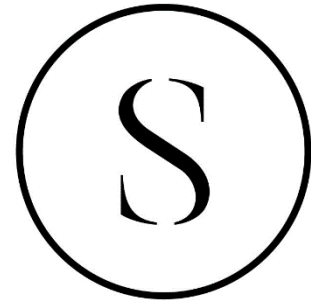
EN200:2008

Sanitary tapware. Single taps and combination taps for water supply systems of type 1 and type 2. General technical specification

Additional Information

Mixers are fitted with a flow straightener for low pressure installations

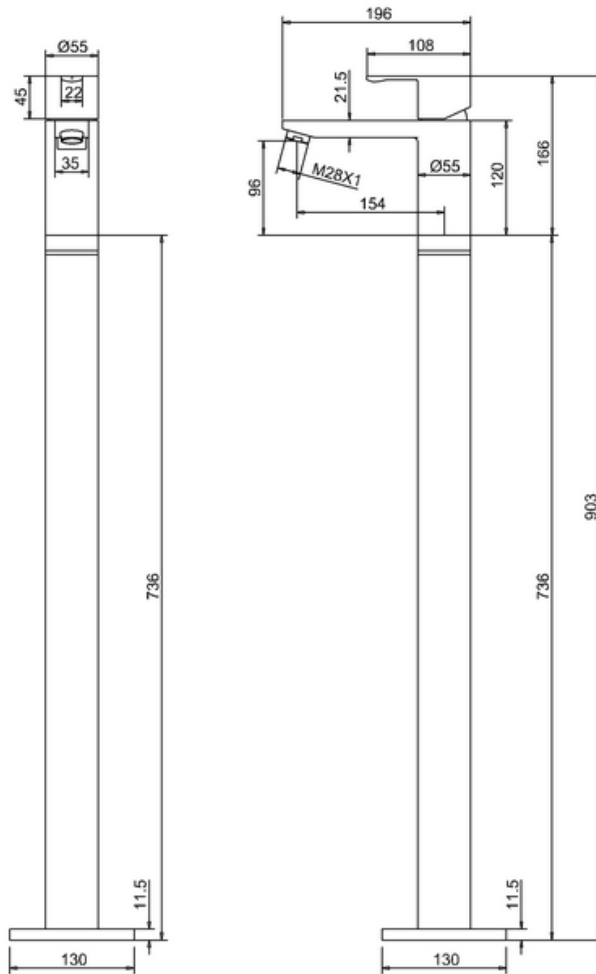
Spare high pressure aerator is provided with every mixer for high pressure installations



All mixers work on 0.2 bar to 5 bar pressure

Flow Rates

System Pressure	0.2 bar	0.5 bar	1 bar	2 bar	3 bar
Spout (straightener)	12.02	18.88	26.76	37	46.61
Spout (aerator)	7.62	11.87	16.75	23.56	28.97



Tech Specification

Product Name: Chelsea Basin Mixer

Product Code: BASINMONO1034

Spout Projection: 120mm

Height: 157mm

Spout Style: Fixed Spout

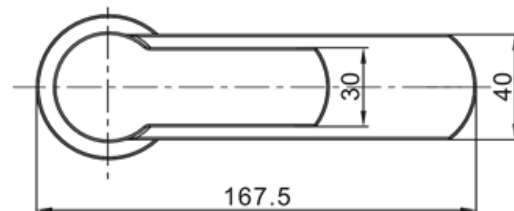
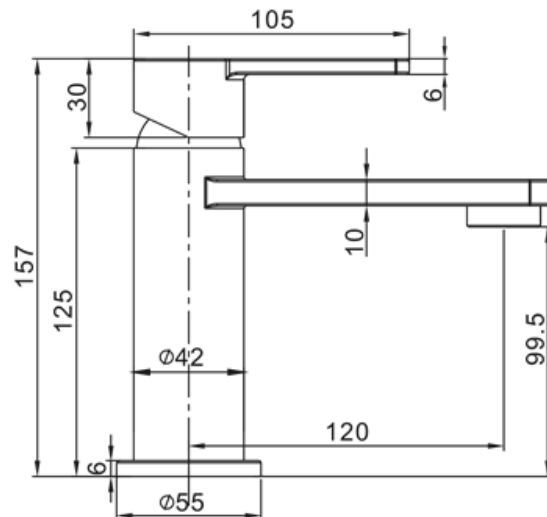
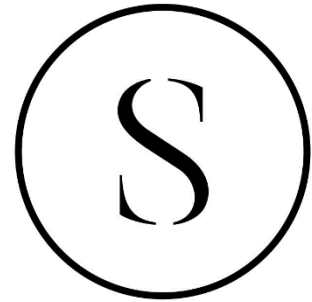
Mount Type: Basin Mounted

Lever Type: Single Lever

Finish: Chrome

Water Pressure: MP

Waste: Without pop-up-waste



NOTE: ALL DIMENSIONS IN MILLIMETRES